



HR-Handlaufbeschlag aus Stahl – XS Gehäuse ø15 mm, HR Dübel ø10 mm

HR-Handrail connector made of steel – XS housing ø15 mm, HR dowel ø10 mm

Gelenkdübel Typ HR mit M8 Gewindestück.
mitre dowel type HR with M8 element.

Beschreibung

- zum stufenlosen Verbinden von Handläufen
- kompletter Beschlag aus Stahl
- kein seitliches Verschieben möglich
- überdurchschnittlich hohe Festigkeitswerte
- leichte Montage für den Endverbraucher
- Made in Germany

specification

- to connecting for universal handrails
- fitting made of steel
- No side movements
- higher than average rate of firmness
- easy to mount
- made in Germany





HR-Handlaufbeschlag aus Stahl

bestehend aus:

Stahl-Gehäuse Typ XS $\varnothing 15$ mm

Gewindestift mit M10 SW5

Stahldübel HR 10 mm

in verzinkter Oberfläche

HR-Handrail connector made of steel

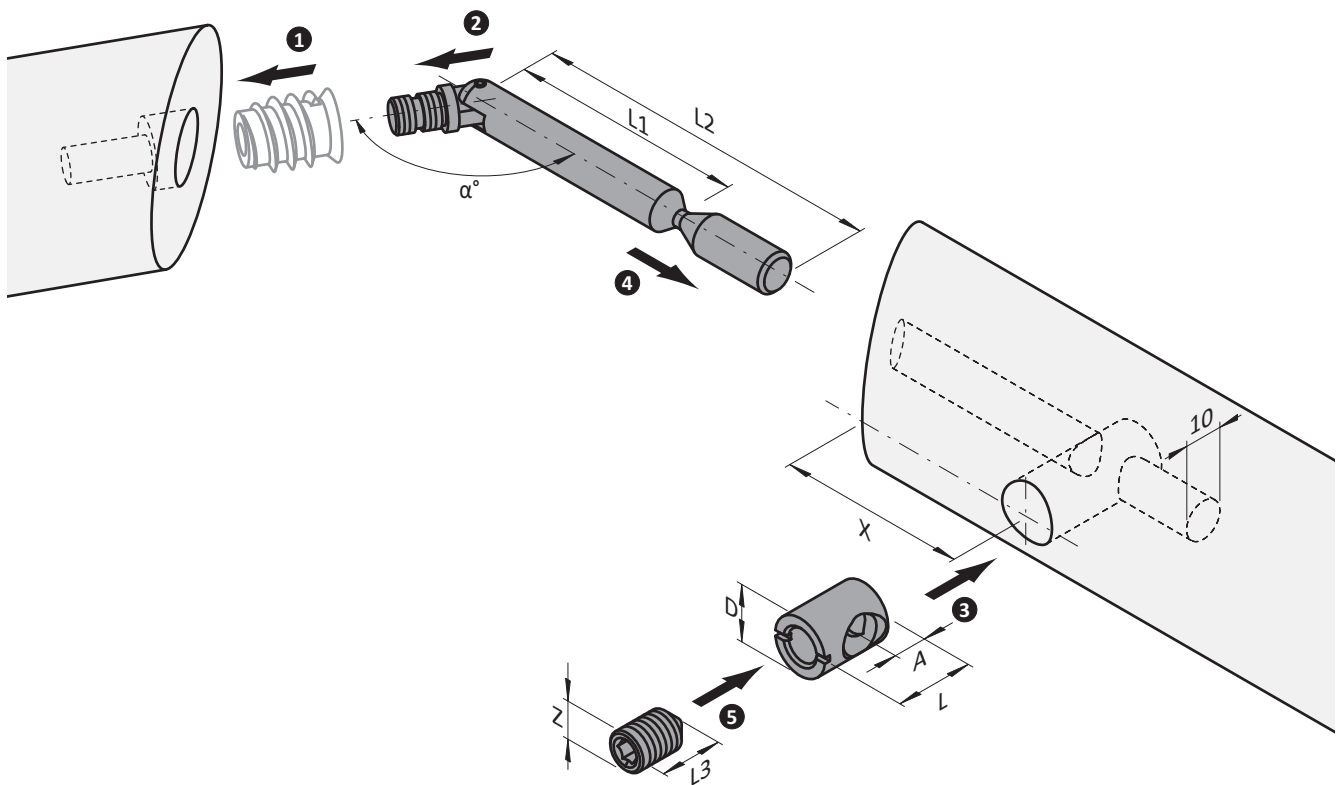
Consisting of:

Steel housing typ XS $\varnothing 15$ mm

Grub screw M10 SW5

Steel dowel HR $\varnothing 10$ mm

Surface zinc plated



Gehäuse / housing						Gew.-Stift M10 / grub screw M10				HR Stahldübel $\varnothing 10$ / HR steeldowel $\varnothing 10$				
Artikel-Nr. order-no.	Material M	L	A	D	VE PU	Artikel-Nr. order-no.	L3	Z	VE PU	Artikel-Nr. order-no.	L1	L2	d	VE PU
D01035	(20)	17	10,0	15	100	D01036	10,0	SW5	100	D02040	89,5	109,0	M8x11	10
D01002	(22)	19	12,0	15	100	D01005	16,0	SW5	100	D02041	89,5	109,0	M8x11	2
D01003	(24-28)	21	14,0	15	100	D01005	16,0	SW5	100					
D01004	(30)	28	13,0	15	100	D01005	16,0	SW5	100					

Hinweis / please advice

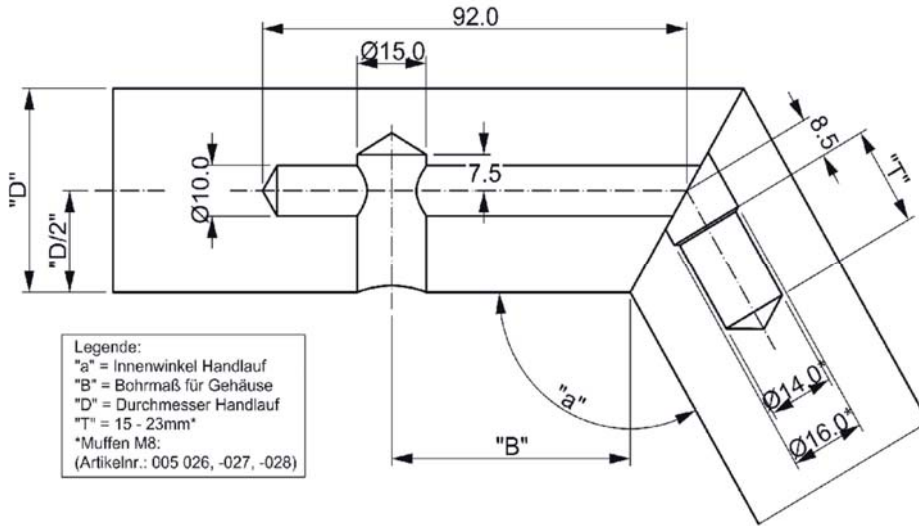
Alle Abmessungen in mm / All dimensions in mm

1 Passende M8 Einschraubmuttern finden Sie in unserem Katalog / 1 further M8 steel socket you will find in our catalogue



HR-Dübel - Bohrabstands-Tabelle

HR-dowel - Drilling distance



Bohrmaß "B" = "X" (theor.) in mm für Gelenkdübel Handlauf $\varnothing 10/15$ mm (Toleranz: $-0,5/+1,0$ mm)
Ein Probeanschlag wird empfohlen!

Drilling distance „B“ = "X" (theor.) in mm Angled dowel $\varnothing 10/15$ mm Tolerance: $-0,5/+1,0$ mm
A test with a sample is recommended!

Winkel α	Handlaufdicke / handrail thickness (mm)												
Angel α	30,0	32,5	35,0	37,5	40,0	42,5	45,0	47,5	50,0	52,5	55,0	57,5	60,0
55°	37,0	35,0	32,5	30,0	27,5	25,0	23,0	20,5	18,0	15,5	13,0	11,0	8,5
60°	40,0	38,0	35,5	33,5	31,5	29,0	27,0	25,0	22,5	20,5	18,5	16,0	14,0
65°	42,5	40,5	38,5	36,5	34,5	32,5	30,5	28,5	27,0	25,0	23,0	21,0	19,0
70°	44,5	43,0	41,0	39,0	37,5	35,5	34,0	32,0	30,5	28,5	26,5	25,0	23,0
75°	46,5	45,0	43,0	41,5	40,0	38,5	36,5	35,0	33,5	32,0	30,0	28,5	27,0
80°	48,0	46,5	45,0	43,5	42,0	40,5	39,0	37,5	36,0	34,5	33,0	32,0	30,0
85°	49,5	48,5	47,0	45,5	44,0	43,0	41,5	40,0	38,5	37,5	36,0	34,5	33,5
90°	51,0	50,0	48,5	47,5	49,0	45,0	43,5	42,5	41,0	40,0	38,5	37,5	36,0
95°	52,5	51,0	50,0	49,0	47,5	46,5	45,5	44,0	43,0	42,0	41,0	39,5	38,5
100°	53,5	52,5	51,5	50,5	49,0	48,0	47,0	46,0	45,0	44,0	43,0	42,0	41,0
105°	54,5	53,5	52,5	51,5	50,5	49,5	48,5	48,0	47,0	46,0	45,0	44,0	43,0
110°	55,5	54,5	53,5	53,0	52,0	51,0	50,0	49,5	49,0	47,5	46,5	46,0	45,0
115°	56,5	55,5	55,0	54,0	53,5	52,5	51,5	51,0	50,0	49,5	48,5	47,5	47,0
120°	57,5	56,5	56,0	55,0	54,5	53,5	53,0	52,5	51,5	51,0	50,0	49,5	48,5
125°	58,0	57,5	57,0	56,0	55,5	55,0	54,5	53,5	53,0	52,5	51,5	51,0	50,5
130°	59,0	58,5	58,0	57,5	56,5	56,0	55,5	55,0	54,5	54,0	53,0	52,5	52,0
135°	60,0	59,5	59,0	58,0	57,5	57,0	56,5	56,0	55,5	55,0	54,5	54,0	53,5
140°	60,5	60,0	59,5	59,0	58,5	58,5	58,0	57,5	57,0	56,5	56,0	55,5	55,0
145°	61,5	61,0	60,5	60,0	59,5	59,5	59,0	58,5	58,0	57,5	57,5	57,0	56,5
150°	62,0	61,5	61,5	61,0	60,5	60,5	60,0	59,5	59,5	59,0	58,5	58,5	58,0
155°	62,5	62,5	62,0	62,0	61,5	61,5	61,0	60,5	60,5	60,0	60,0	59,5	59,0
160°	63,5	63,0	63,0	62,5	62,5	62,5	62,0	62,0	61,5	61,5	61,0	61,0	60,5
165°	64,0	64,0	63,5	63,5	63,5	63,0	63,0	63,0	62,5	62,5	62,5	62,0	62,0
170°	64,5	64,5	64,5	64,5	64,5	64,0	64,0	64,0	64,0	63,5	63,5	63,5	63,5
175°	65,5	65,5	65,0	65,0	65,0	65,0	65,0	65,0	65,0	65,0	65,0	64,5	64,5
180°	66,0	66,0	66,0	66,0	66,0	66,0	66,0	66,0	66,0	66,0	66,0	66,0	66,0