



FF-Systembeschlag aus Stahl – Gehäuse ø15 mm, Dübel ø7 mm
FF Connecting system made of steel – housing ø15 mm, dowel ø7 mm

Die Stahl-Alternative zum 15 mm Exzenter-System. Bricht nicht, kippt nicht!
 The steel **alternative** to replace the 15 mm cam and dowel system. Doesn't break, doesn't tilt!

Beschreibung

- Ein Verbinder, der sich abhebt von Billigmöbel-Verbindern
- **vibrationsfest !**
- kompletter Beschlag aus Stahl
- kein seitliches Verschieben möglich
- überdurchschnittlich hohe Festigkeitswerte
- leichte Montage für den Endverbraucher
- Bohrmaße abgestimmt auf die 15 mm Exzenterbohrung

specification

- connecting fitting with high tightening forces
- **vibration resistant !**
- fitting made of steel
- No side movements
- higher than average rate of firmness
- easy to mount
- Drilling measures are identical with the 15 mm cam drillings





FF- Eckverbinder aus Stahl

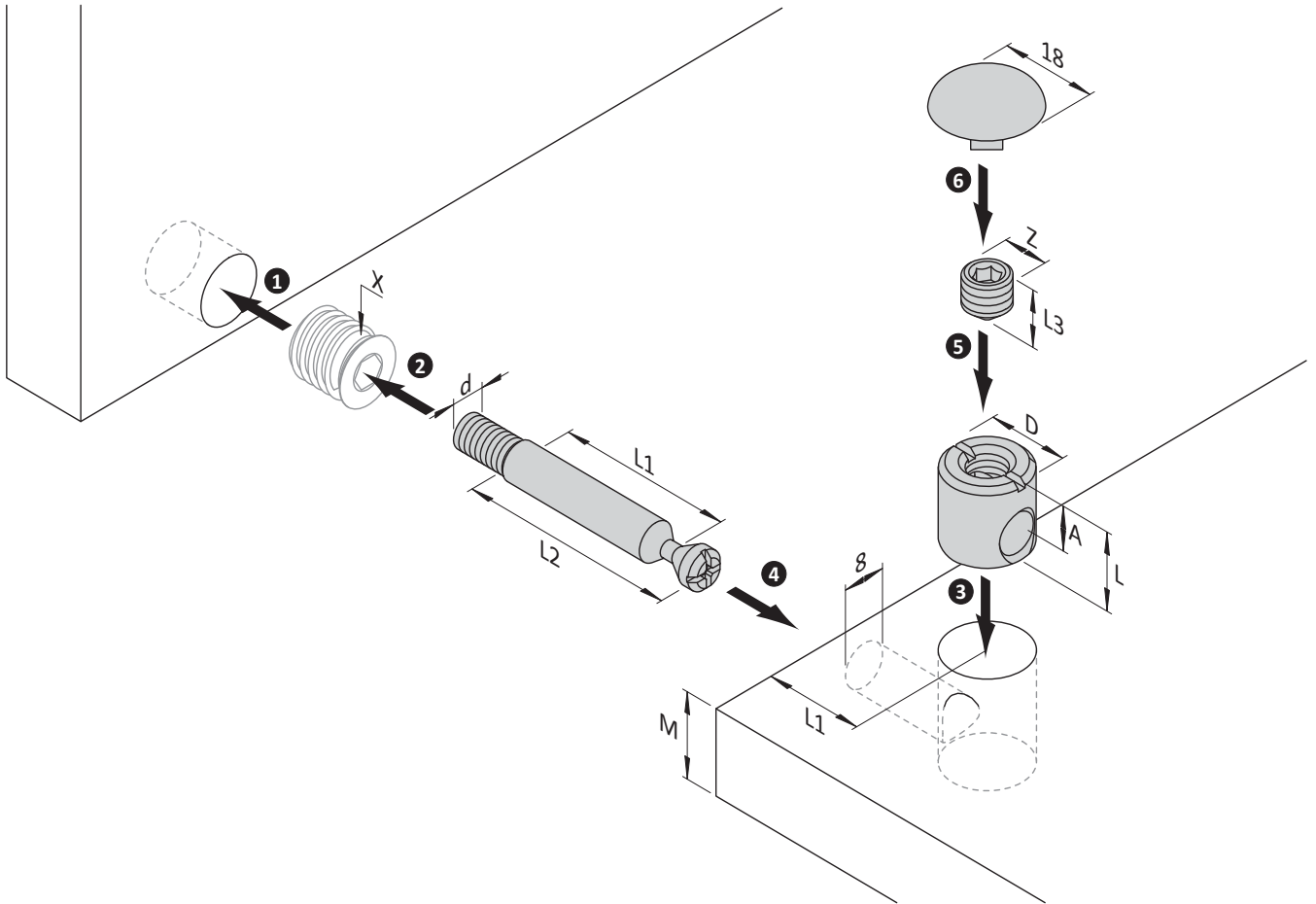
bestehend aus:

- Stahl-Gehäuse Typ FF \varnothing 15 mm
- Stahldübel FF \varnothing 7 mm
- Gewindestift mit ISK
- Abdeckkappe optional
- in verzinkter Oberfläche

FF- Connecting system made of steel

consisting:

- Steel housing FF \varnothing 15 mm
- Steel dowel FF \varnothing 7 mm
- grub screw ISK
- Cover cap optional
- zinc plated



FF Gehäuse / FF housing						Gew.-Stift M8 / grub screw M8				Stahldübel \varnothing 7 / steeldowel \varnothing 7				
Artikel-Nr. order-no.	Material M	L	A	D	VE PU	Artikel-Nr. order-no.	L3	ISK Z	VE PU	Artikel-Nr. order-no.	L1	L2	d	VE PU
D02004	15-16	12,0	8,0	15	100	D02010	6,0	4	100	D02020	34	41	M6x11	100
D02005	18-19	13,5	9,0	15	100	D02011	7,5	4	100	D02021	34	41	EURO 6x11	100
D02006	20-21	14,5	10,0	15	100	D02012	8,0	4	100	D02022	24	31	M6x11	100
D02007	23	16,0	11,5	15	100	D02013	9,0	4	100	D02023	24	31	EURO 6x11	100
D02008	29	19,0	14,5	15	100	D02014	13,0	4	100	D02024	34	37	EURO 6x7,5	100

Abdeckkappe / cover cap			
Artikel-Nr. order-no.	Abm. spec.	Farbe color	VE PU
D02030	\varnothing 18x1,5	Weiss/white	100
D02031	\varnothing 18x1,5	Schwarz/black	100

Hinweis / Please advice

Alle Abmessungen in mm / All dimensions in mm

X Passende Einschraubmuttern finden Sie im Katalog / **X** Matching inserts in catalogue

EURO-Direkt-Gewinde für Bohrung \varnothing 5 mm / EURO-thread for \varnothing 5 mm holes



FF- Mittelwandverbinder aus Stahl

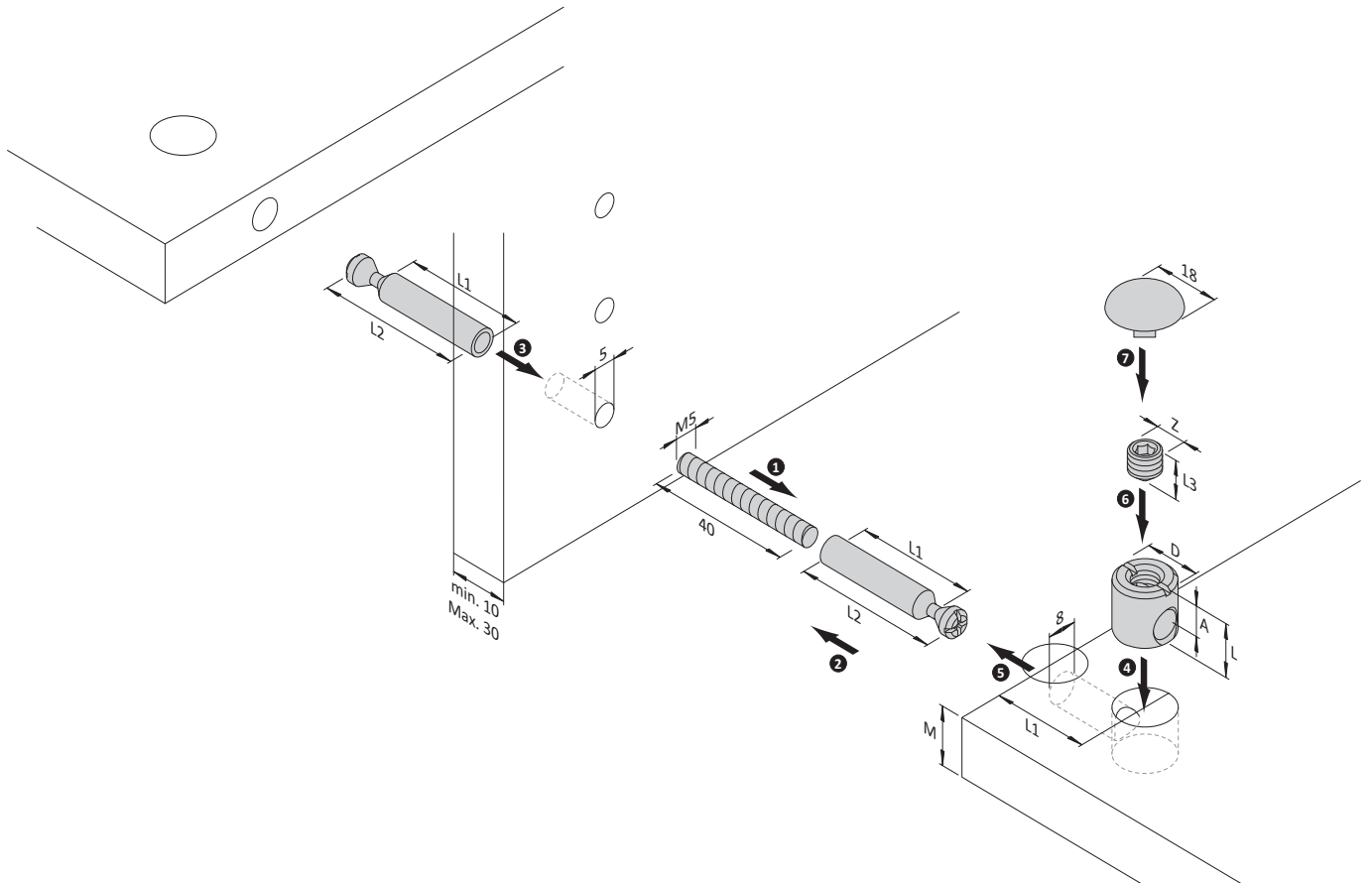
bestehend aus:

- Stahl-Gehäuse Typ FF $\varnothing 15$ mm + Gewindestift mit ISK
- Doppeldübel FF $\varnothing 7$ mm
- Gewindestift M5x40 mm, SW3
- Abdeckkappe optional
- in verzinkter Oberfläche

FF- Connector for middle wall, steel

Consisting of:

- Steel housing FF $\varnothing 15$ mm + grub screw ISK
- double dowel FF $\varnothing 7$ mm
- grub screw M5x40 mm, hexagon
- Cover cap optional
- zinc plated



FF Gehäuse / FF housing						Gew.-Stift M8 / grub screw M8				Doppeldübel $\varnothing 7$ / double dowel $\varnothing 7$				
Artikel-Nr. order-no.	Material M	L	A	D	VE PU	Artikel-Nr. order-no.	L3	ISK Z	VE PU	Artikel-Nr. order-no.	L1	L2	d	VE PU
D02004	15-16	12,0	8,0	15	100	D02010	6,0	4,0	100	D02025	34	41	7,0	200
D02005	18-19	13,5	9,0	15	100	D02011	7,5	4,0	100	Gewindestift M5x40 / grub screw M5x40				
D02006	20-21	14,5	10,0	15	100	D02012	9,0	4,0	100					
D02007	23	16,0	11,5	15	100	D02013	11,0	4,0	100	D02026	-	-	5,0	100
D02008	29	19,0	14,5	15	100	D02014	13,0	4,0	100					

Abdeckkappe / cover cap			
Artikel-Nr. order-no.	Abm. spec.	Farbe color	VE PU
D02030	$\varnothing 18 \times 1,5$	Weiss/white	100
D02031	$\varnothing 18 \times 1,5$	Schwarz/black	100

Hinweis / Please advice

Alle Abmessungen in mm, All dimensions in mm, M board thickness



FF- Gehrungsverbinder aus Stahl

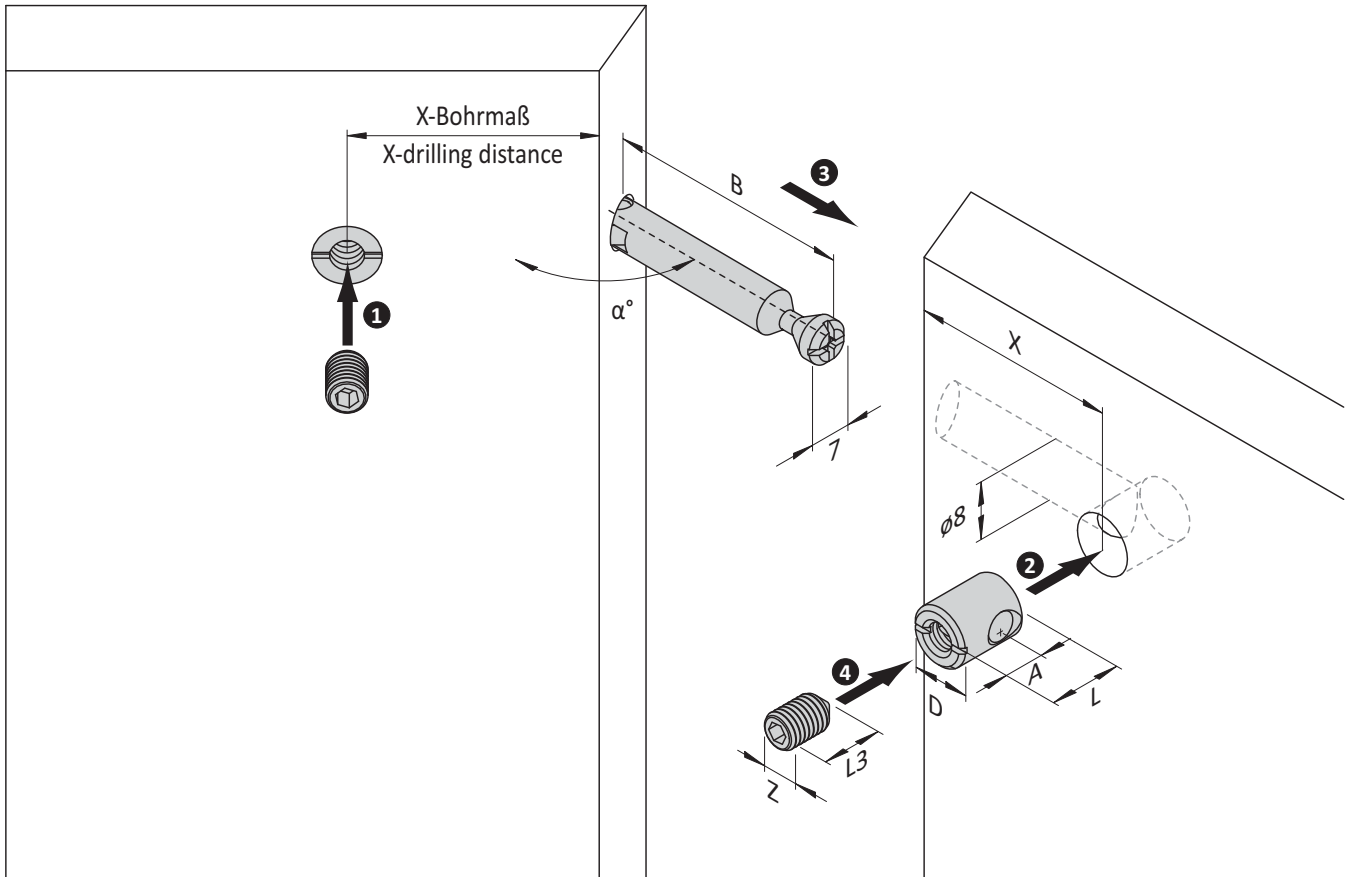
bestehend aus:

- Stahl-Gehäuse Typ FF $\varnothing 15$ mm
- Gelenkdübel FF $\varnothing 7$ mm
- Gewindestift mit ISK
- Abdeckkappe optional
- in verzinkter Oberfläche

FF- Angled connector, steel

consisting:

- Steel housing FF $\varnothing 15$ mm
- angled dowel FF $\varnothing 7$ mm
- grub screw ISK
- Cover cap optional
- zinc plated



FF Gehäuse / FF housing						Gew.-Stift M8 / grub screw M8				Gelenkdübel $\varnothing 7$ / angled dowel $\varnothing 7$			
Artikel-Nr. order-no.	Material M	L	A	D	VE PU	Artikel-Nr. order-no.	L3	ISK Z	VE PU	Artikel-Nr. order-no.	\varnothing	B	VE PU
D02004	15-16	12,0	8,0	15	100	D02010	6,0	4,0	100	D02032	7,0	94,0	50
D02005	18-19	13,5	9,0	15	100	D02011	7,5	4,0	100				
D02006	20-21	14,5	10,0	15	100	D02012	9,0	4,0	100				
D02007	23	16,0	11,5	15	100	D02013	11,0	4,0	100				
D02008	29	19,0	14,5	15	100	D02014	13,0	4,0	100				

Abdeckkappe / cover cap			
Artikel-Nr. order-no.	Abm. spec.	Farbe color	VE PU
D02030	$\varnothing 18 \times 1,5$	Weiss/white	100
D02031	$\varnothing 18 \times 1,5$	Schwarz/black	100

Hinweis / Please advice

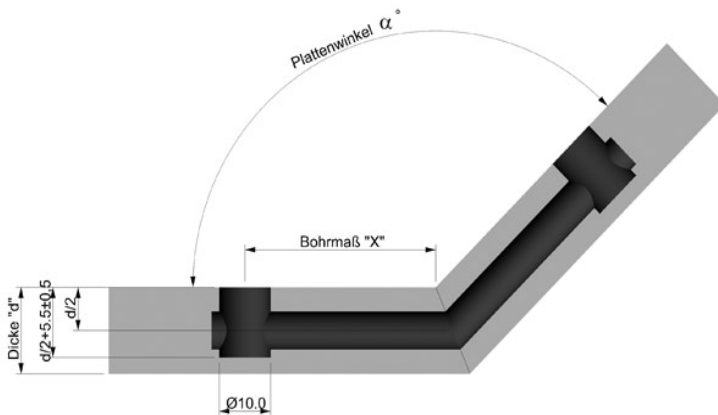
Alle Abmessungen in mm, All dimensions in mm, M board thickness

Bohrabstand X siehe Bohrtabelle / Drilling distance X in drilling chart



FF- Gehrungsverbinder, Bohrabstandstabelle

FF- Angled dowel, Drilling distance



Bohrabstand "X" (theor.) in mm für
Gelenkdübel PV 7/10
Toleranz: -0,5/+1,0 mm
Ein Probeanschlag wird empfohlen!

Drilling distance „X“ (theor.) in mm for
Angled dowel PV 7/10
Tolerance: -0,5/+1,0 mm
A test with a sample is recommended!

Winkel α Angel α	Plattenstärke / board thickness (mm)							
	16,0	18,0	19,0	22,0	23,0	25,0	28,0	29,0
30°	10,0	6,5	4,5					
35°	14,5	11,5	10,0	5,0				
40°	18,0	15,5	14,0	10,0	8,5			
45°	21,0	18,0	17,0	13,5	12,0	10,0		
50°	23,0	21,0	19,5	16,5	15,0	13,0	10,0	9,0
55°	24,5	23,0	22,0	19,0	18,0	16,0	13,0	12,0
60°	26,0	24,5	23,5	21,0	20,0	18,3	16,0	15,0
65°	27,5	26,0	25,0	23,0	22,0	20,5	18,0	17,0
70°	28,5	27,0	26,5	24,5	23,5	22,0	20,0	19,5
75°	29,5	28,5	27,5	25,7	25,0	23,7	22,0	21,0
80°	30,5	28,5	27,5	26,0	25,0	24,0	22,0	21,0
85°	31,5	30,0	29,5	28,0	27,5	26,5	25,0	24,0
90°	32,0	31,0	30,5	29,0	28,5	27,5	26,0	25,5
95°	32,5	32,0	31,5	30,0	29,5	28,5	27,0	26,5
100°	33,5	32,5	32,0	31,0	30,5	29,5	28,5	28,0
105°	34,0	33,0	32,5	32,5	31,0	30,5	29,5	29,0
110°	34,5	33,5	33,5	32,5	32,0	31,0	30,0	30,0
115°	35,0	34,5	34,0	33,0	32,5	32,0	31,0	31,0
120°	35,5	35,0	34,5	34,0	33,5	33,0	32,0	31,5
125°	36,0	35,5	35,0	34,5	34,0	33,5	32,5	32,5
130°	36,5	36,0	35,5	35,0	34,5	34,0	33,5	33,0
135°	36,5	36,5	36,0	35,5	35,0	35,0	34,0	34,0
140°	37,0	36,5	36,5	36,0	36,0	35,5	35,0	34,5
145°	37,5	37,0	37,0	36,5	36,5	36,0	35,5	35,5
150°	38,0	37,5	37,5	37,0	37,0	36,5	36,0	36,0
155°	38,0	38,0	38,0	37,5	37,5	37,0	37,0	37,0
160°	38,5	38,5	38,5	38,0	38,0	38,0	37,5	37,5
165°	39,0	39,0	38,5	38,5	38,5	38,5	38,0	38,0
170°	39,5	39,0	39,0	39,0	39,0	39,0	39,0	38,5
175°	39,5	39,5	39,5	39,5	39,5	39,5	39,5	39,5
180°	40,0	40,0	40,0	40,0	40,0	40,0	40,0	40,0