

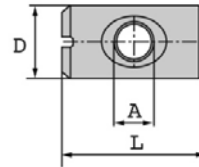


Quermutterbolzen / Kloben aus Stahl, verzinkt
 Barrel Nuts steel steel zinc plated

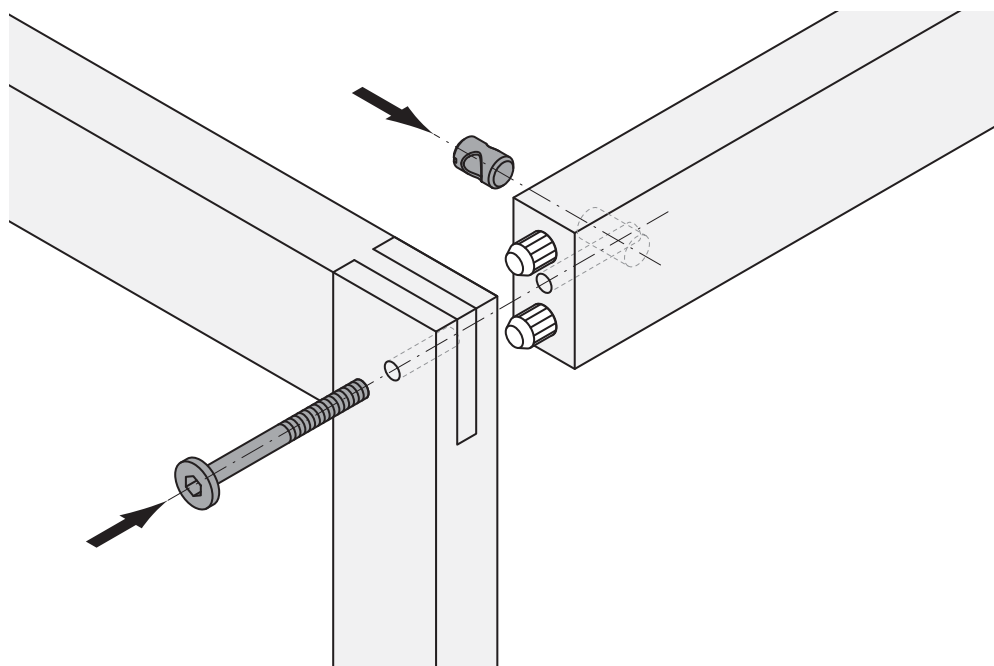


Quermutterbolzen **zentrisch**

Barrel Nuts centric



Quermutterbolzen zentrisch / Barrel Nuts centric						
Artikel-Nr. Order-no.	D	L	A	X	C	VE PU
D01300	ø10,0	12,0	M6	-	-	200
D01301	ø 10,0	14,0	M6	-	-	200
D01302	ø 10,0	16,0	M6	-	-	200
D01303	ø 10,0	18,0	M6	-	-	200
D01304	ø 10,0	20,0	M6	-	-	200
D01306	ø 10,0	30,0	M6	-	-	100
D01307	ø 10,0	40,0	M6	-	-	100
D01308	ø 10,0	50,0	M6	-	-	100
D01309	ø 12,0	14,0	M8	-	-	100
D01310	ø 12,0	20,0	M8	-	-	100
D01311	ø 12,0	30,0	M8	-	-	100
D01312	ø 12,0	40,0	M8	-	-	100
D01313	ø 12,0	50,0	M8	-	-	100
D01314	ø 12,0	60,0	M8	-	-	100



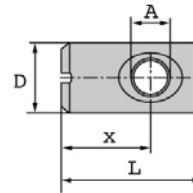


Quermutterbolzen / Kloben aus Stahl, verzinkt/vernickelt
 Barrel Nuts steel steel zinc plated/nickel plated



Quermutterbolzen exzentrisch

Barrel Nuts eccentric



Quermutterbolzen exzentrisch / Barrel Nuts eccentric						
Artikel-Nr. Order-no.	D	L	A	X	Oberfläche surface	VE PU
D01051	ø 10,0	12,0	M6	8,0	verzinkt/ zinc plated	200
D01316	ø 10,0	13,0	M6	8,0	verzinkt/ zinc plated	200
D01052	ø 10,0	14,0	M6	9,5	verzinkt/ zinc plated	200
D01057	ø 10,0	14,0	M6	9,5	vernickelt/ nickel plated	200
D01053	ø 10,0	16,0	M6	11,5	verzinkt/ zinc plated	200
D01058	ø 10,0	16,0	M6	11,5	vernickelt/ nickel plated	200
D01318	ø 10,0	18,0	M6	11,0	verzinkt/ zinc plated	200
D01054	ø 10,0	19,0	M6	14,5	verzinkt/ zinc plated	200
D01059	ø 10,0	21,0	M6	16,0	verzinkt/ zinc plated	200

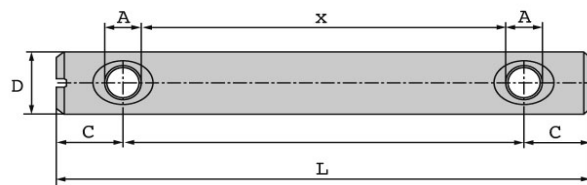
Hinweis / please advice

Alle Abmessungen in mm / All dimensions in mm

Weitere Abmessungen auf Anfrage/ other dimensions on request

Quermutterbolzen mit 2 Gewinden

Barrel Nuts with 2 threads



Quermutterbolzen mit 2 Gewinden / Barrel Nuts with 2 threads						
Artikel-Nr. Order-no.	D	L	A	X	C	VE PU
D01320	ø 10,0	48,0	M6	32,0	8	100
D01321	ø 10,0	82,0	M6	64,0	9	100
D01322	ø 12,0	60,0	M8	32,0	14	100