

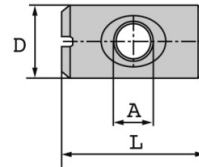


Quermutterbolzen / Kloben aus Stahl, verzinkt
Barrel Nuts steel zinc plated



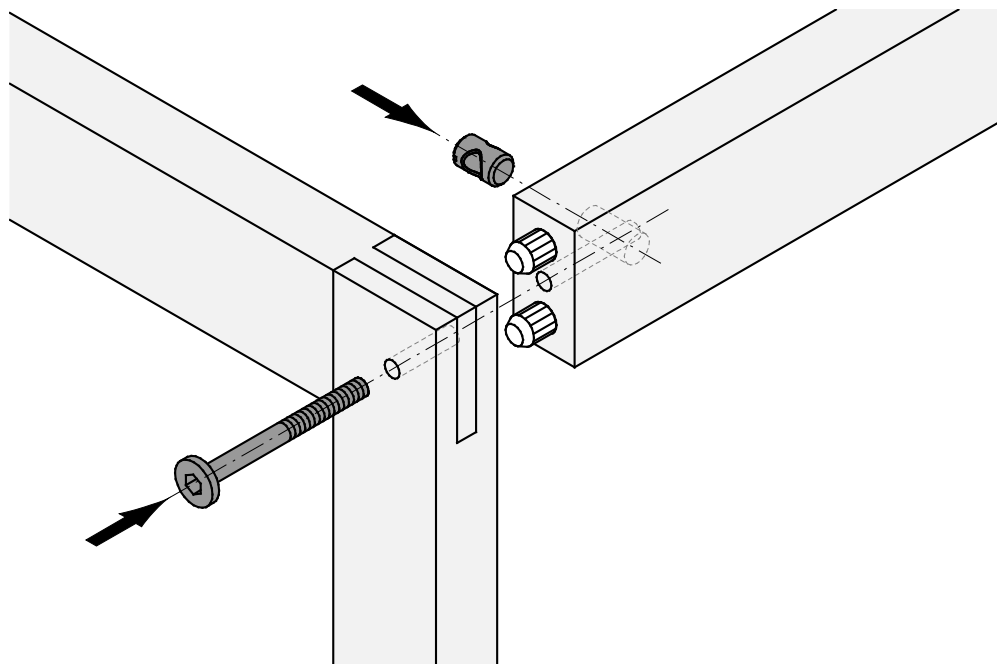
Quermutterbolzen **zentrisch**

Barrel Nuts **centric**



Quermutterbolzen zentrisch / Barrel Nuts centric						
Artikel-Nr. order-no.	D	L	A	X	C	VE PU
D01300	ø10,0	12,0	M6	-	-	200
D01301	ø10,0	14,0	M6	-	-	200
D01302	ø10,0	16,0	M6	-	-	200
D01303	ø10,0	18,0	M6	-	-	200
D01304	ø10,0	20,0	M6	-	-	200
D01306	ø10,0	30,0	M6	-	-	100
D01307	ø10,0	40,0	M6	-	-	100
D01308	ø10,0	50,0	M6	-	-	100
D01309	ø12,0	14,0	M8	-	-	100
D01310	ø12,0	20,0	M8	-	-	100
D01311	ø12,0	30,0	M8	-	-	100
D01312	ø12,0	40,0	M8	-	-	100
D01313	ø12,0	50,0	M8	-	-	100
D01314	ø12,0	60,0	M8*	-	-	100

*mit Gewindestopp / thread-stop included





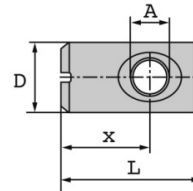
Quermutterbolzen / Kloben aus Stahl, verzinkt/vernickelt
Barrel Nuts steel zinc plated / nickel plated



Quermutterbolzen exzentrisch



Barrel Nuts eccentric

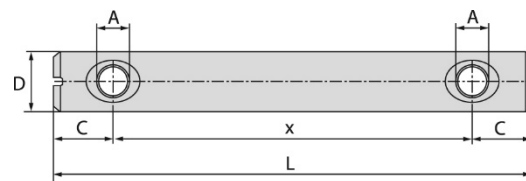


Quermutterbolzen exzentrisch / Barrel Nuts eccentric						
Artikel-Nr. order-no.	D	L	A	X	Oberfläche surface	VE PU
D01051	ø10,0	12,0	M6	8,0	verzinkt / zinc plated	200
D01316	ø10,0	13,0	M6	8,0	verzinkt / zinc plated	200
D01052	ø10,0	14,0	M6	9,5	verzinkt / zinc plated	200
D01057	ø10,0	14,0	M6	9,5	vernickelt / nickel plated	200
D01053	ø10,0	16,0	M6	11,5	verzinkt / zinc plated	200
D01058	ø10,0	16,0	M6	11,5	vernickelt / nickel plated	200
D01318	ø10,0	18,0	M6	11,0	verzinkt / zinc plated	200
D01054	ø10,0	19,0	M6	14,5	verzinkt / zinc plated	200
D01059	ø10,0	21,0	M6	16,0	verzinkt / zinc plated	200

Quermutterbolzen mit 2 Gewinden



Barrel Nuts with 2 threads



Quermutterbolzen mit 2 Gewinden / Barrel Nuts with 2 threads						
Artikel-Nr. order-no.	D	L	A	X	C	VE PU
D01320	ø10,0	48,0	M6	32,0	8	100
D01321	ø10,0	82,0	M6	64,0	9	100
D01322	ø12,0	60,0	M8*	32,0	14	100

*mit Gewindestopp / thread-stop included

Hinweis / Please note

Alle Abmessungen in mm / All dimensions in mm

Weitere Abmessungen auf Anfrage / other dimensions on request