



XS Tablarverbinder Set

- 1 Set bestehend aus:
- 1x XS Montageblock
 - 1x XS Ankerbolzen $\varnothing 10$ mm
 - 1x XS Gehäuse $\varnothing 15$ mm
 - 1x XS Gewindestift M10

XS Shelf Connector Set

- 1 Set consisting of:
- 1x XS Mounting Block
 - 1x XS Anchor Bolt $\varnothing 10$ mm
 - 1x XS Housing $\varnothing 15$ mm
 - 1x XS Grub Screw M10

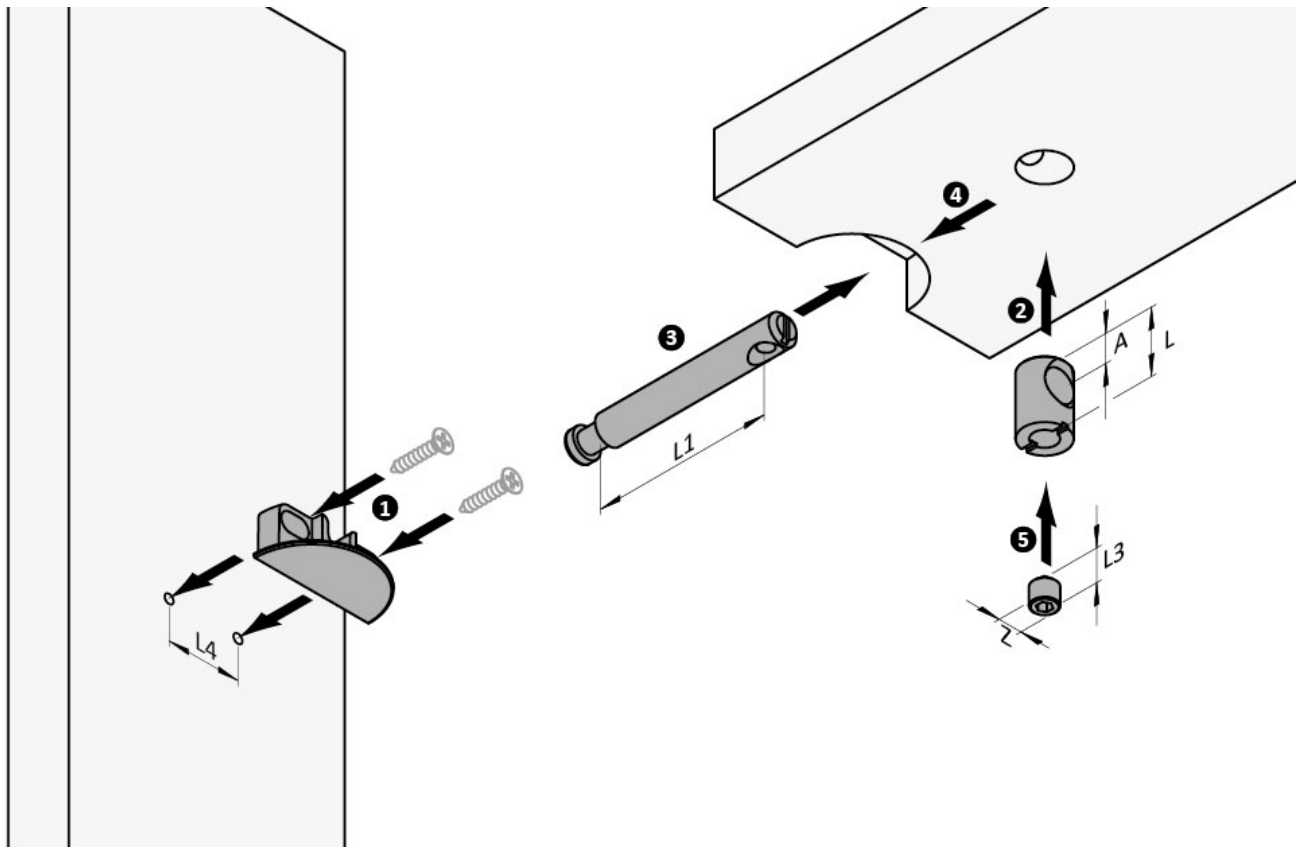


Beschreibung

- Zum Befestigen von Regalböden
- Extrem starke Anzugskräfte
- Von oben und unten montierbar
- Ankerbolzen, Gehäuse, Gewindestift aus Stahl
- Montageblock aus Zinkdruckguss, Oberfläche vernickelt

Description

- For mounting shelves
- Extreme high tightening forces
- Can be mounted from above and below
- Anchor Bolt, Housing, Grub Screw made of steel
- Mounting Block made of die-cast, nickel plated



Set Tablarverbinder									
Set Shelf Connector									
Artikel-Nr. order-no.	Bezeichnung description	L	A	L1	L3	L4	Z	VE	PU
D02042	XS Montageblock / XS Mounting Block					25		20	
	inkl. D01107 XS Ankerbolzen / XS Anchor Bolt $\varnothing 10$ mm			60				20	
	inkl. D01002 XS Gehäuse / XS Housing $\varnothing 15$ mm	19	12					20	
	inkl. D01005 XS Gew.-Stift / XS Grub Screw M10				12		SW5	20	

Hinweis / Please note

Senkkopfschrauben 18-20 mm oder EURO-Senkkopfschrauben verwenden! / Use countersunk screws 18-20 mm or EURO countersunk screws!

M: Materialstärke; Alle Abmessungen in mm / M: Board thickness; All dimensions in mm



XS Tablarverbinder Set
Bohrbild

XS Shelf Connector Set
Drilling distances

