



### PV Gehrungsverbinder zweiseitig

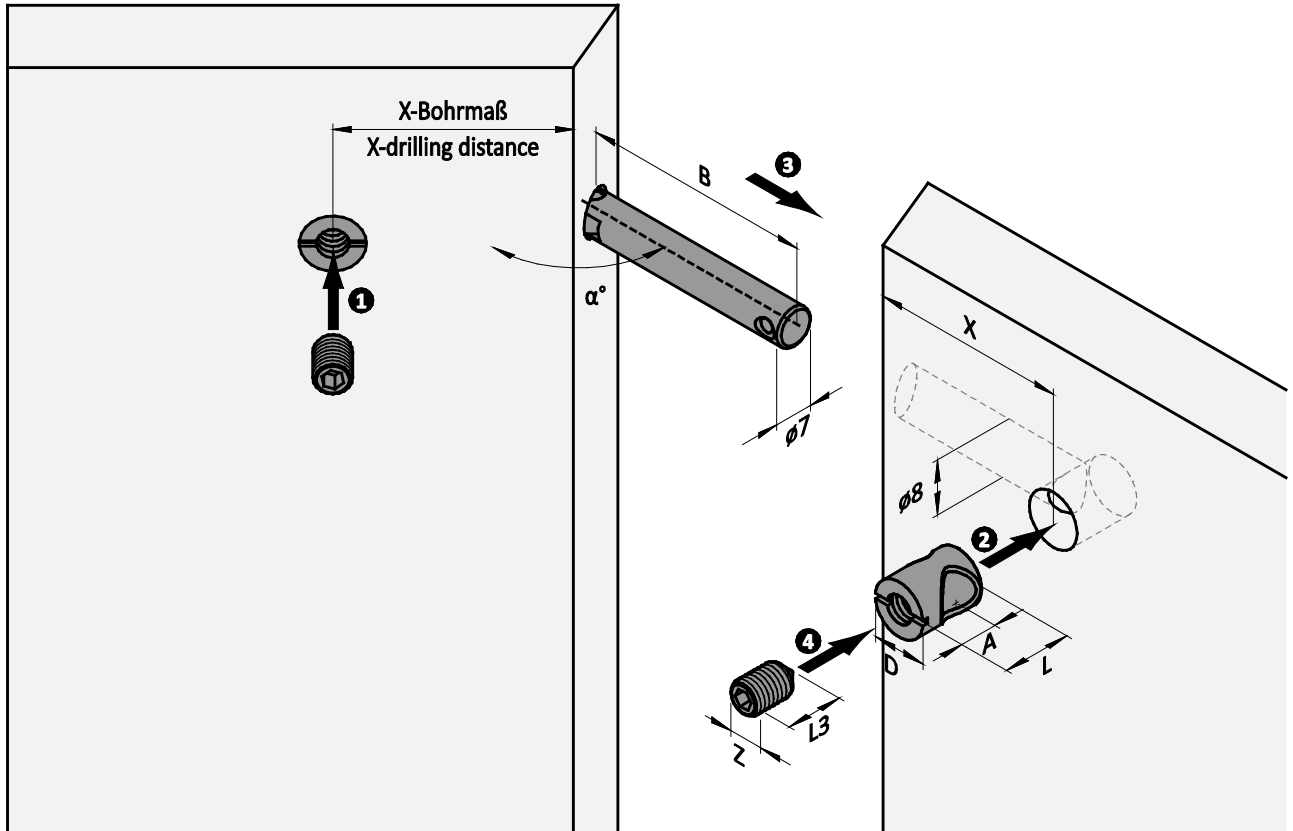
Bestehend aus:

- PV Gehäuse  $\varnothing 10$  mm und  $\varnothing 12$  mm
- PV Gewindestift PZ oder ISK
- PV Gelenkdübel  $\varnothing 7$  mm

### PV Mitre Connector two sided

Consisting of:

- PV Housing  $\varnothing 10$  mm and  $\varnothing 12$  mm
- PV Grub Screw PZ or ISK
- PV Mitre Dowel  $\varnothing 7$  mm



Gehäuse / Housing $\varnothing 10, 12$ mm					
Artikel-Nr. order-nr.	Material M	L	A	D	VE PU
D01020	16	12	8,0	10	200
D01021	19	14	9,5	10	200
D01030	19	14	9,5	10	200
D01022	23	16	11,5	10	200
D01031	23	16	11,5	10	200
D01023	32	21	16,0	10	200
D02000	16	12	8,0	12	200
D02001	19	14	9,5	12	200

Gewindestift / Grub Screw M6			
Artikel-Nr. order-nr.	L3	Z	VE PU
D01024 / -34	8	PZ / ISK	100
D01024 / -34	8	PZ / ISK	100
D01032 / -37	8	PZ / ISK	100
D01024 / -34	8	PZ / ISK	100
D01032 / -37	8	PZ / ISK	100
D01024 / -34	8	PZ / ISK	100
D02003	8	ISK	100
D02003	8	ISK	100

Gelenkdübel / Mitre Dowel $\varnothing 7$ mm				
Artikel-Nr. order-nr.	$\varnothing$	L1	B/B	VE PU
D01040	7	91	39,5/39,5	50

**Hinweis / Please note**

**Oberfläche vernickelt / Surface nickel plated**

→: Gehäuse mit diesem Gewindestift kombinieren / →: Combine Housing with this Grub Screw

Bohrabstand X siehe Bohrtabelle / Drilling distance X in drilling chart

M: Materialstärke; Alle Abmessungen in mm / M: Board thickness; All dimensions in mm

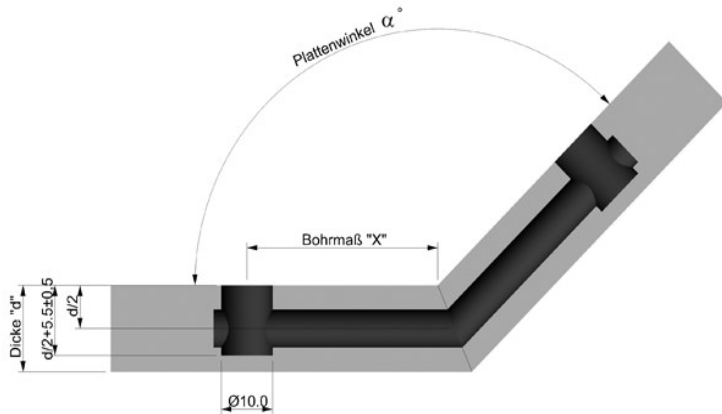
EURO-Direkt-Gewinde für Bohrung  $\varnothing 5$  mm / EURO-thread for  $\varnothing 5$  mm hole

PZ = Pozidriv, ISK = Innensechskant / hexagon



**PV Gehrungsverbinder zweiseitig**  
Bohrabstandstabelle

**PV Mitre Connector two sided**  
Drilling distances



Bohrabstand „X“ (theor.) in mm für  
PV Gelenkdübel 7/10 mm  
Toleranz: -0,5/+0,5 mm  
**Ein Probeanschlag wird empfohlen!**

Drilling distance “X” (theor.) in mm for  
PV Mitre Dowel 7/10 mm  
Tolerance: -0,5/+0,5 mm  
**A test with a sample is recommended!**

Winkel $\alpha$	Plattenstärke / board thickness (mm)							
Angle $\alpha$	16,0	18,0	19,0	22,0	23,0	25,0	28,0	29,0
65°	27,5	26,0	25,0	23,0	22,0	20,5	18,0	17,0
70°	28,5	27,0	26,5	24,5	23,5	22,0	20,0	19,5
75°	29,5	28,5	27,5	25,7	25,0	23,7	22,0	21,0
80°	30,5	28,5	27,5	26,0	25,0	24,0	22,0	21,0
85°	31,5	30,0	29,5	28,0	27,5	26,5	25,0	24,0
90°	32,0	31,0	30,5	29,0	28,5	27,5	26,0	25,5
95°	32,5	32,0	31,5	30,0	29,5	28,5	27,0	26,5
100°	33,5	32,5	32,0	31,0	30,5	29,5	28,5	28,0
105°	34,0	33,0	32,5	32,5	31,0	30,5	29,5	29,0
110°	34,5	33,5	33,5	32,5	32,0	31,0	30,0	30,0
115°	35,0	34,5	34,0	33,0	32,5	32,0	31,0	31,0
120°	35,5	35,0	34,5	34,0	33,5	33,0	32,0	31,5
125°	36,0	35,5	35,0	34,5	34,0	33,5	32,5	32,5
130°	36,5	36,0	35,5	35,0	34,5	34,0	33,5	33,0
135°	36,5	36,5	36,0	35,5	35,0	35,0	34,0	34,0
140°	37,0	36,5	36,5	36,0	36,0	35,5	35,0	34,5
145°	37,5	37,0	37,0	36,5	36,5	36,0	35,5	35,5
150°	38,0	37,5	37,5	37,0	37,0	36,5	36,0	36,0
155°	38,0	38,0	38,0	37,5	37,5	37,0	37,0	37,0
160°	38,5	38,5	38,5	38,0	38,0	38,0	37,5	37,5
165°	39,0	39,0	38,5	38,5	38,5	38,5	38,0	38,0
170°	39,5	39,0	39,0	39,0	39,0	39,0	39,0	38,5
175°	39,5	39,5	39,5	39,5	39,5	39,5	39,5	39,5
180°	40,0	40,0	40,0	40,0	40,0	40,0	40,0	40,0